

# TEST BENCH SERIES

## FMTB



**Model FMTB-650B/IO**

*Technical Specification*

## Technical Specification

This specification contains the description and bill of materials of a FMTB-650B/IO test bench suitable for testing, calibration and verification of various flow meters like diaphragm, rotary and turbine meters, under atmospheric air conditions.

It is recommended to clean the meters under test before testing or install additional filters to protect the master meters.



## Item Description

**Modular Test Bench, assembled, tested and wired ready for installation / hook-up on site to locally made interconnecting pipe work, consisting of the following:**

### **01 Master Meter Section**

- One header/silencer/flow conditioner to connect the meter under test with the two master meter runs. The inlet header has a 6" DIN/ANSI150 front connection to the Meter Under Test (MUT).
- One master meter line consisting of:
  - Rotary meter, type FMR-M16 Type 9-560cfh (0,25 - 16 m<sup>3</sup>/h) equipped with HF, calibrated by FMG with traceability to NMi
  - Electrically operated block valves
  - Class A temperature sensor 4 wire PT100, accuracy better than 0.18F (0,15°C), range 50 - 104F (10 - 40°C),
  - Pressure connection (Pr-point master meter)
  - Filter / Sieve
- One master meter lines consisting of:
  - Rotary meter, type FMR-M650, capacity 565 - 23,000cfh (16 - 650m<sup>3</sup>/h) equipped with double HF, calibrated by FMG with traceability to NMi
  - Pneumatically operated 6" butterfly valve 87psi (6 bar) max.
  - Class A temperature sensor 4 wire PT100, accuracy better than 0.18F (0,15oC), range 150 - 104F (0 - 40°C)
  - Pressure connection (Pr-point master meter)
  - Filter / Sieve
- One set pressure (Pr, dP) tubing for Pr-points from Master Meters and Meter Under Test
- Two HF sensors and cabling per Master Meter

### **02 Uncertainty Levels (CMC according ILAC-P14:01/2013):**

- 35 - 23,000cfh (1 - 650 m<sup>3</sup>/h) < 0,25%
- 9 - 35cfh (0,25 - 1 m<sup>3</sup>/h) < 0,35%

### **03 Blowers and flow control**

- One blower with capacity of >23,000cfh (650m<sup>3</sup>/h), approx. 2.2 kW at 230VAC 50 - 60 Hz, type centrifugal (Elektror (Germany) or equivalent), including a frequency controller.
- Pneumatically operated 4" control valve 87psi (6 bar) max.
- Pneumatically operated 2" control valve 87psi (6 bar) max.
- Electrically operated 1" control valve

### **04 Electronic Cabinet**

- Integrated, two front swing doors, RAL 7035, rated power approx. 400Watt, 230 Vac.
- Side Panel with main on/off switch
- Power supply unit 100 – 240 VAC 50 – 60 Hz / 24 VDC
- Module for Meter-Under-Test
- One set of interfaces to the Meter Under Test consisting of a wiring block to connect several pulse sources simultaneously
- Module for flow control
- Module for master meters
- Pr, dP sensors, repeatability better than 0.005psi (0,32 mbar) (this includes linearity, hysteresis and repeatability)
- Absolute pressure sensors, repeatability better than 0.015psi (1 mbar)
- Automatic leak control switches and valves
- Completely wired

### **05 PC Configuration and software**

- NUC or similar with Intel Core i series
- RAM: minimum 4GB DDR3-1600
- Solid State Drive: minimum 60 GB
- Screen: 22" LCD High Resolution
- Keyboard (English Version), mouse
- One Ethernet Port 1Gbps
- Windows 10 or higher (English Version)

## **06 Test Bench Control Software**

- User friendly interface
- Various levels of access from basic operators to advanced users and settings
- Advanced test method using high speed simultaneous data collection from all sensors
- Fast testing cycles for meters being fitted with HF sensors
- Test results are shown on screen and automatically saved
- Printed reports are available with configurable report layout

## **07 Remote Control Software**

- Pre-installed version of remote access software (e.g. TeamViewer)
- Allows for remote connection and support by FMG

## **08 Meter Under Test Interface**

- Meter Under Test Interface box is front panel mounted to connect several pulse sources simultaneously
- One set of interfaces consisting of four sensor inputs, each capable of handling HF Pulse, LF Pulse or Optical Index Detection

## **09 Documentation**

- Schematic diagrams
- Hardware manual
- Software manual
- Certificates

## **10 Required connections on site (not included in this delivery):**

- Electrical power for blowers / flow control
- Electrical power for control cabinet
- Compressed air supply minimum 90psi (approx. 6 bar) free of oil, filtered
- Lifting crane or lifting tables
- Internet connection for remote support
- Inlet and outlet piping for meter under test

Appendix: Images test bench FMTB-650:



Image 1: front side



Image 2: back side (panels removed)

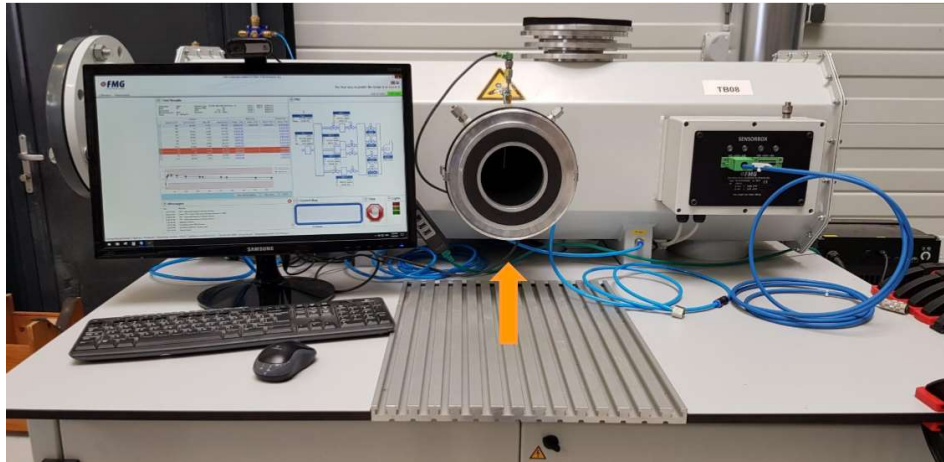
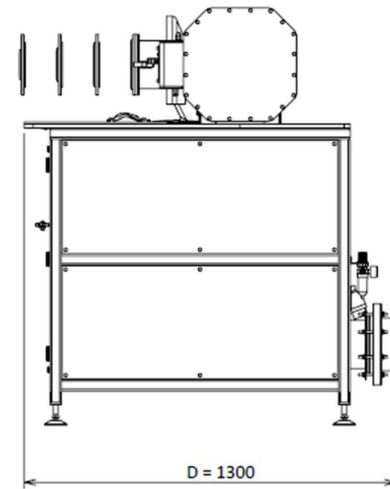
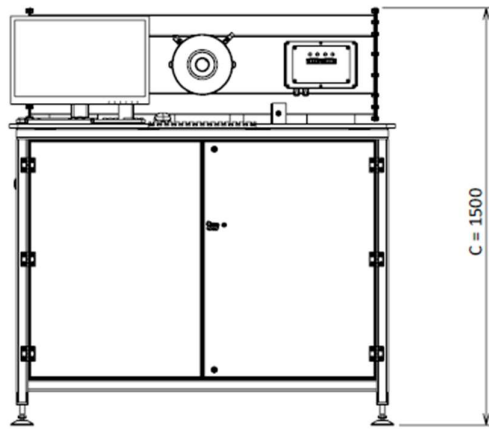
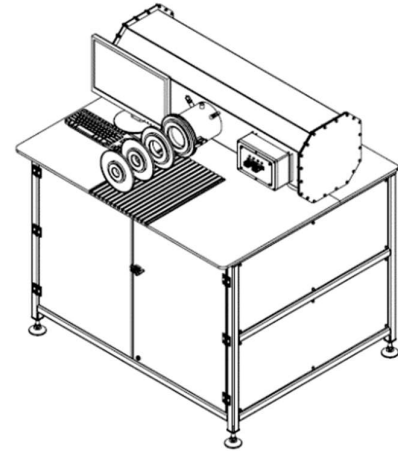
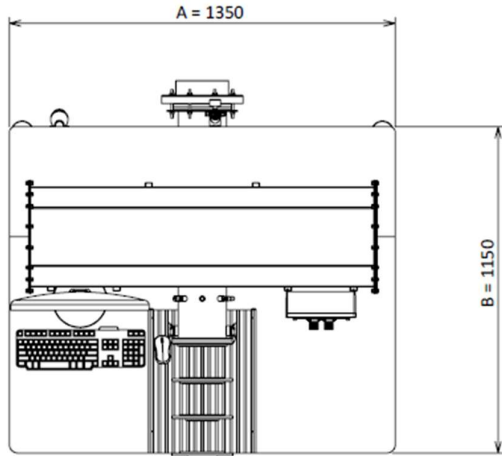


Image 3: 1.5" (DN40) to 6" (DN150) front side for testing RPD meters and turbine meters



Image 4: side inlet for testing diaphragm meters



Imperial units	
A	4.45 ft
B	3.8 ft
C	4.95 ft
D	4.3 ft
Weight	990 lb